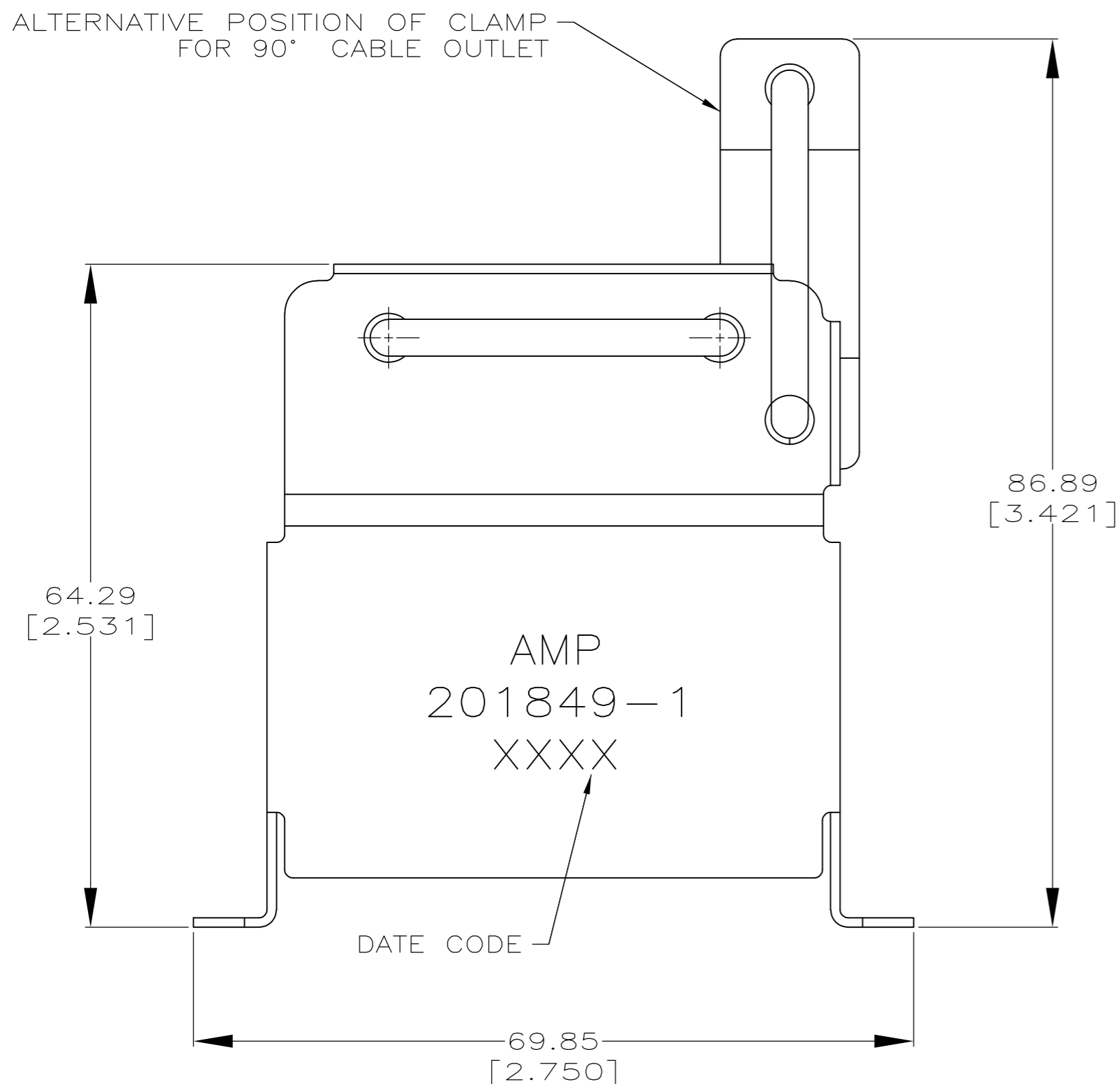
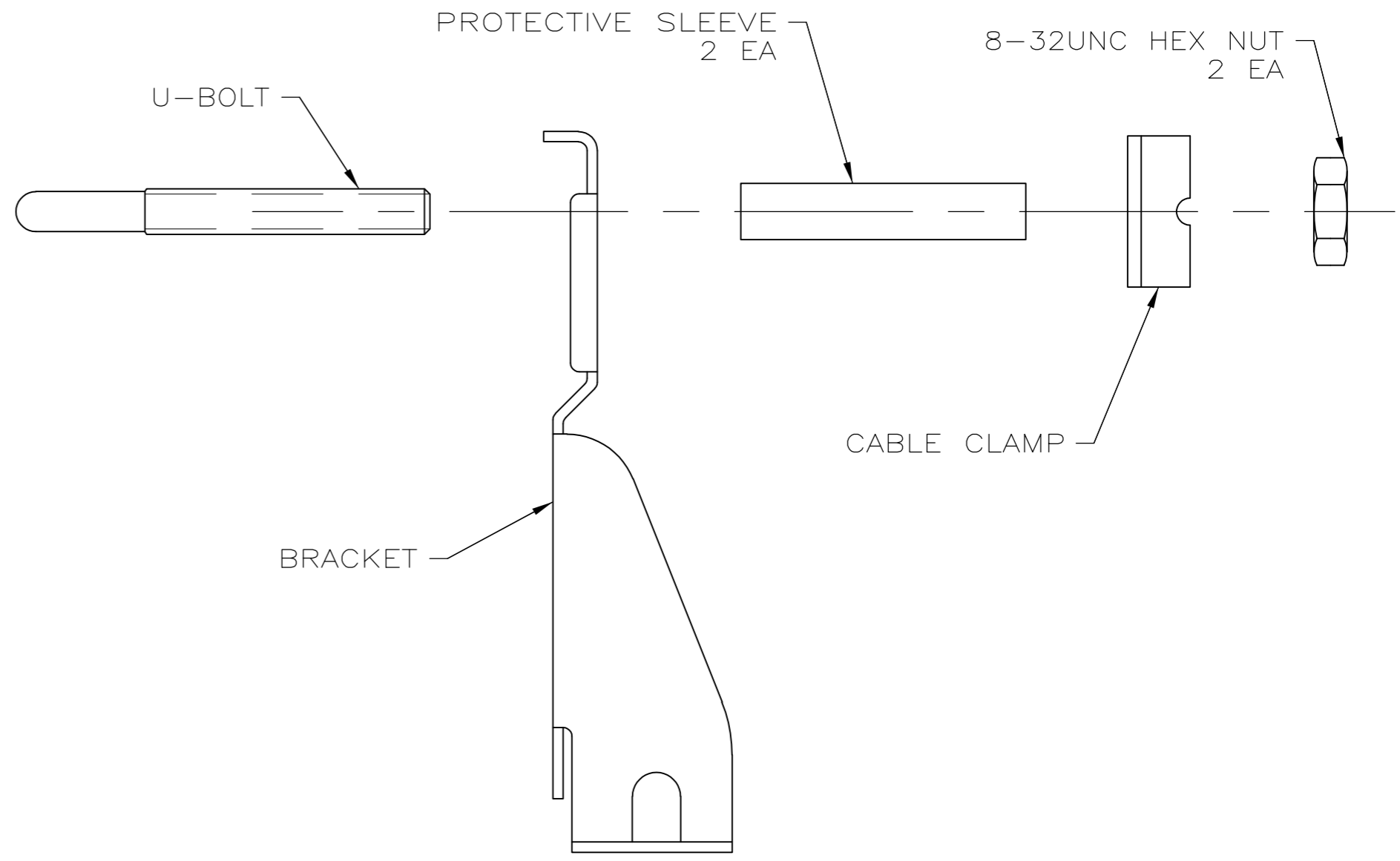
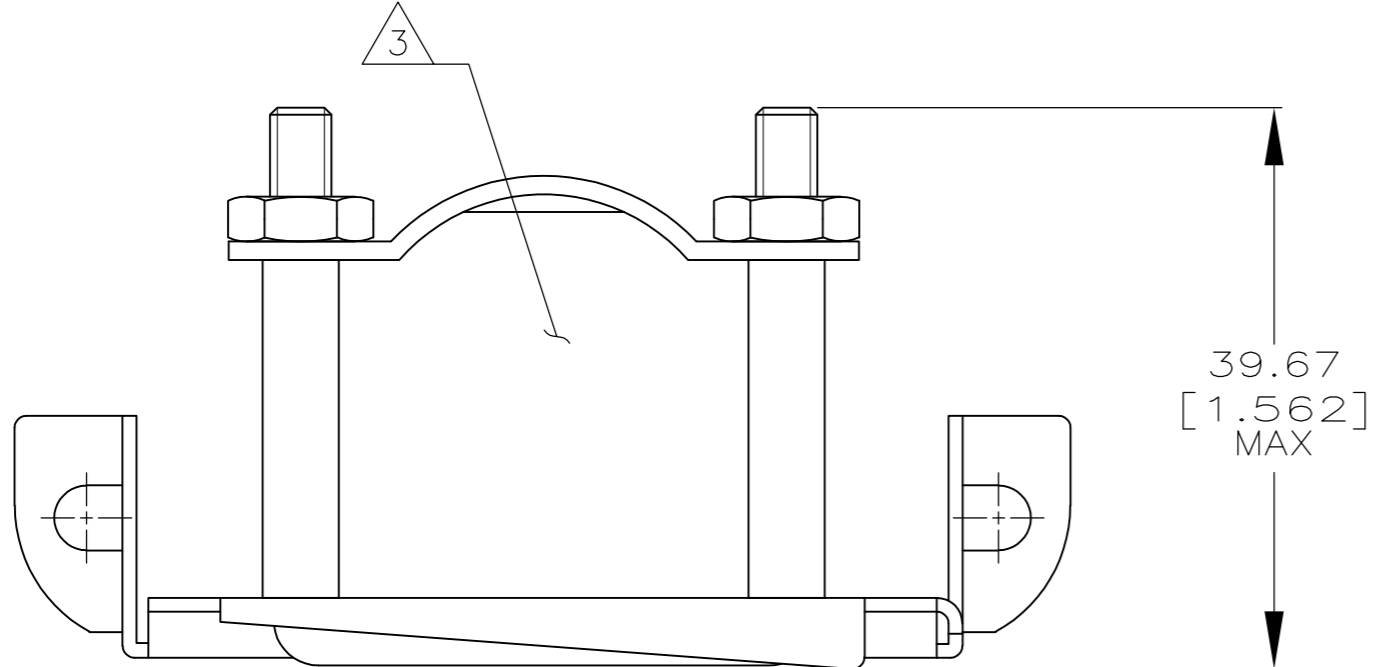


THIS DRAWING IS UNPUBLISHED. RELEASED FOR PUBLICATION
 © COPYRIGHT BY TYCO ELECTRONICS CORPORATION. ALL INTERNATIONAL RIGHTS RESERVED.

LOC	DIST	REVISIONS			
P	LTR	DESCRIPTION	DATE	DWN	APVD
FT	0				
	F	REVISED PER ECO-08-030884	11DEC08	HMR	GS
	F1	REVISED PER ECO-09-020935	08SEP09	KK	AEG



- 1 BRACKET, CABLE CLAMP & HEX NUTS: CARBON STEEL.
U-BOLT: STAINLESS STEEL.
PROTECTIVE SLEEVES: POLYVINYL CHLORIDE.
- 2 BRACKET & CABLE CLAMP: 5.08um[.000200] MIN NICKEL PLATE.
U-BOLT: PASSIVATED.
- 3 709.68 SQ mm [1.100 SQ IN] MAX CLAMP AREA.
- 4 OBSOLETE PARTS: OBSOLETE CIS STREAMLINING PER D.RENAUD/D.SINISI

4 SUPERCEDED	201849-3
	201849-1
PART NUMBER	

THIS DRAWING IS A CONTROLLED DOCUMENT.		DWN C.REIFSNYDER 23 OCT 95	Tyco Electronics Corporation Harrisburg, PA 17105-3608	
DIMENSIONS: mm [INCHES]		CHK R.STONE 25 OCT 95	NAME G.A.STEINHAUER	
TOLERANCES UNLESS OTHERWISE SPECIFIED:		APVD G.A.STEINHAUER 05 NOV 95	PRODUCT SPEC	
0 PLC ± -		APPLICATION SPEC		
1 PLC ± -		WEIGHT		
2 PLC ± 0.38[.015]		SCALE 2:1		
3 PLC ± -		SHEET 1 OF 1		
4 PLC ± -		REV F1		
ANGLES ± -		CUSTOMER DRAWING		
FINISH		SIZE A2 CAGE CODE 00779 DRAWING NO C=201849 RESTRICTED TO -		
MATERIAL		SCALE 2:1 SHEET 1 OF 1 REV F1		